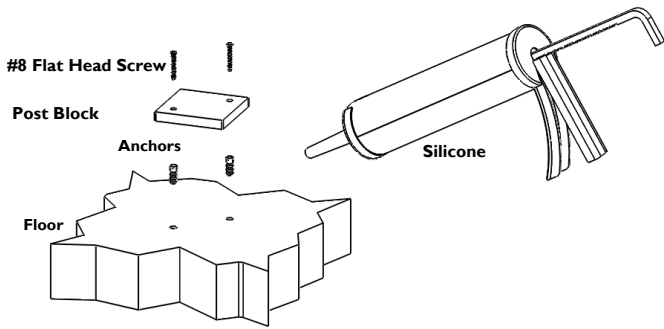
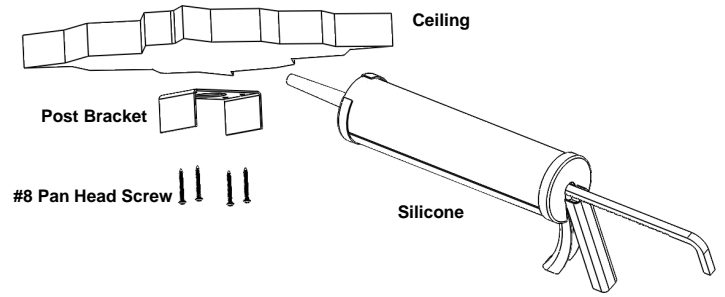


1. VERTICAL POST INSTALLATION



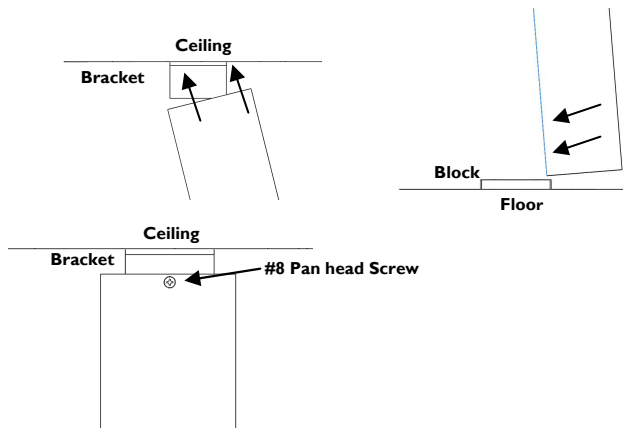
1. Determine the location of the Post Block.
2. Mark the hole locations for securing the block.
3. If the floor is concrete, anchor holes must be drilled and a shorter #8 flat head screw will be used in conjunction with the wall anchors to secure the block to the floor. If the floor is wood, then the longer #8 screws supplied in the parts bag will be used.
4. Apply silicone to the bottom of the block and attach it to the floor with the appropriate screws.

2. VERTICAL POST INSTALLATION



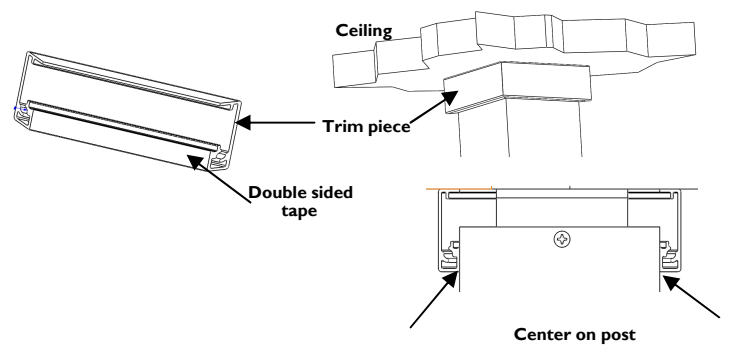
1. Determine the location of the Post Bracket.
2. Mark the hole locations for securing the bracket.
3. If the ceiling is concrete, anchor holes must be drilled and a shorter #8 pan head screw will be used in conjunction with the wall anchors to secure the bracket to the ceiling. If the ceiling is drywall and wood, then the longer #8 screws can be used if supporting framework (wood) can be screwed into. If not, then wall anchors must be used.
4. Apply silicone to the top of the bracket and attach it to the ceiling with the appropriate screws.

3. VERTICAL POST INSTALLATION



1. Cut the post 5/8" shorter than the distance from the floor to the ceiling.
2. Slide the top end of the post over the bracket while simultaneously swinging the bottom end of the post over the block.
3. Once over the block, lower the post into position.
4. Using a level, plumb the post and secure it at the top using two (2) #8 pan head screws; positioning the screws on center of the bracket with the head of the screws close to the edge of the post, providing clearance for the trim pieces.

4. VERTICAL POST INSTALLATION

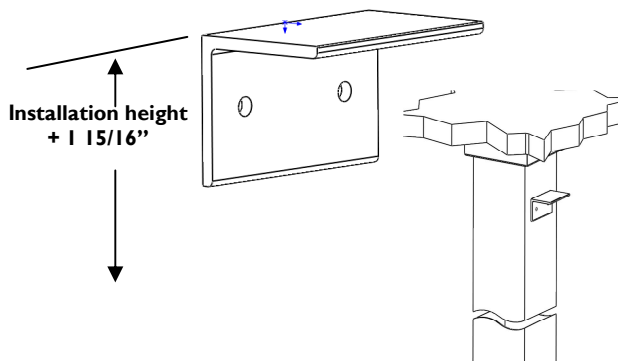


1. Remove the protective cover on the double sided tape and apply the first trim piece, by centering it on the post while simultaneously pushing it upward to meet the ceiling. Once the first trim piece is in place, apply the other trim pieces around the post, keeping the 45 degree edges together.



5.

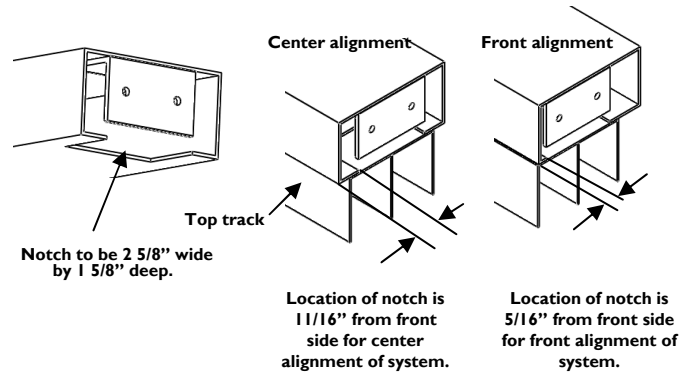
HORIZONTAL BEAM INSTALLATION



1. The positioning of this bracket is determined by the desired location of the system. For example: If you want the system centered on the post, then center the bracket on the post. If you desire the system to be towards the front on the post, then place the bracket towards the front of the post. See instruction # 6 for further details.
2. Measure, mark and attach the angle bracket to the post and/or wall so the top of the brackets is $1 \frac{15}{16}$ " above the installation height (typ. 6'8" or 8'0") and fasten with a pan head screw. Note: Depending on the clearance between the top of the beam and the ceiling, it may required determining the location of the brackets within the beam and pre drilling the attachment holes prior to installing the brackets to the post and wall.

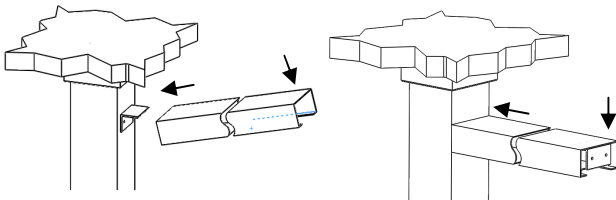
6.

HORIZONTAL BEAM INSTALLATION



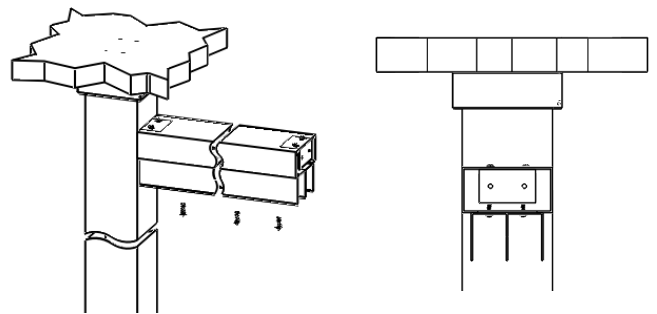
1. Measure the distance between the wall and post and cut the 2 X 4 beam to that length.
2. Notch the beam at one end for either a center alignment of the system or a front alignment of the system, as indicated in images. Note: The location of the notch is critical because the top track will cover the notch once installed.

7.



1. Slide the end of the beam that is not notched over a bracket and lower the beam onto the bracket on the opposite end.
2. Align the beam so that it is flush with the post and secure the beam with four #8 pan head screws.

8.



1. Secure the track to the beam using #8 pan head screws. (The position of the track in the images is in a center mount)